

# Containerized BESS

Model: ZGE-CI-Z-5-10

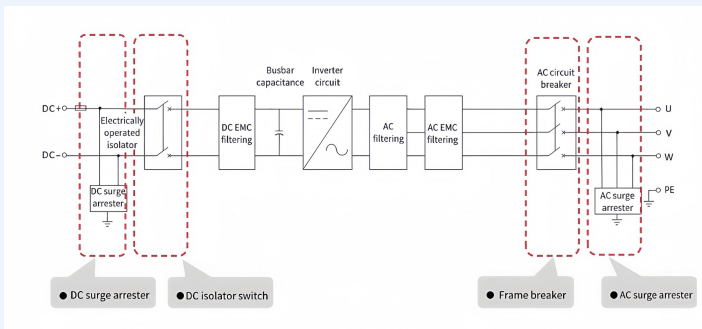


PCS+Boosting System

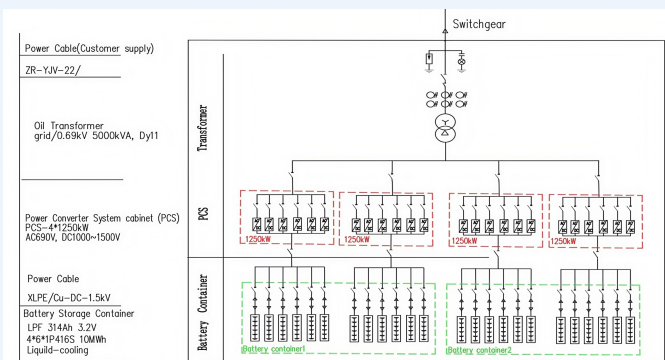


Battery System

## Energy Storage Converter Circuit Block Diagram



## 5MW/10MWh BESS Single-line Diagram



## Features

- LFP, 314 Ah cells
- 10 MWh energy capacity
- 5MVA Transformer+ 4\*1.25MW PCS+MV cabinet
- Liquid cooling system for battery system
- Two 20-foot pre-installing battery containers
- Back-up power, peak shaving, micro-grids, energy arbitration applications



IB-marketing@gzgz.com.cn  
www.gzgz.com.cn

